

# TABLE TOPPER™

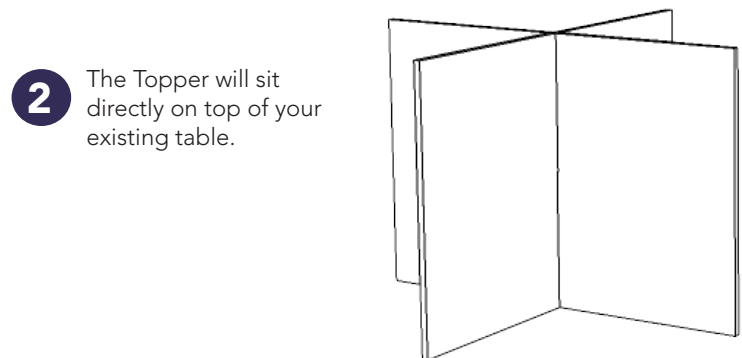
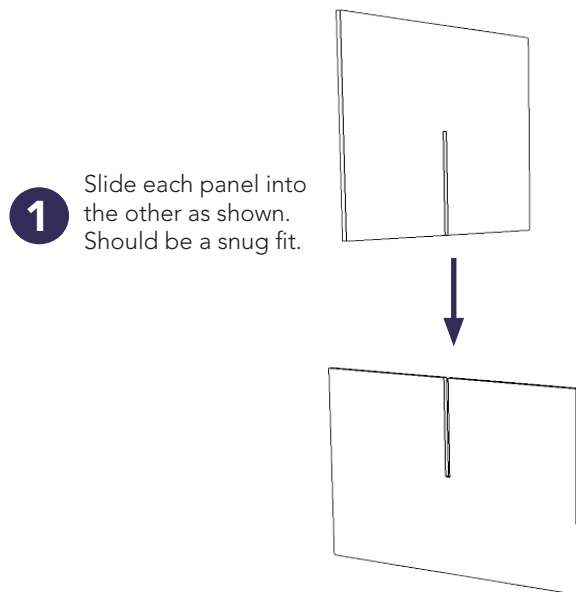
## COVID-19 SOLUTION

The Table Topper is designed to protect students and faculty while sitting at a cafeteria table. No drilling, adhesive, or any permanent change to your existing furniture. The product was developed by Sound Management Group to meet the requirements of their customers' Covid19 compliance. The Table Topper is simply 2 panels which slide into each other while resting right on the table and divides the space into equal area's. Height ranges from 12" to 24" giving the group a sense of comfort while not feeling confined.



## TABLE TOPPER ASSEMBLY

Confirmation of table width and length will be needed to estimate the correct number of optical grade acrylic panels needed. Assembly couldn't be easier with no drilling or modifications of the existing cubicle required. See diagrams below:



## MATERIAL

Clear acrylic is recommended for most applications however other materials can be available depending on your needs and configurations.



Please contact your local SMG Salesperson for pricing.

You can also visit [soundmanagementgroup.com/contact](https://www.soundmanagementgroup.com/contact)  
or call 1-800-221-0580



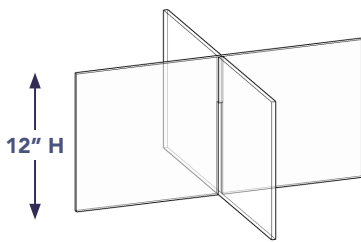
# TABLE TOPPER™

## TOPPER PRICING GUIDE

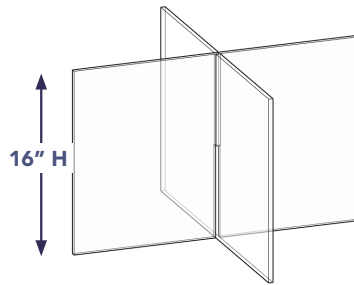
The cube topper is simply priced for the SMG Furniture Dealer.  
Width of each section x Topper height (material only).  $W \times H = \$Price$   
SMG will add shipping and packaging based on size of order.



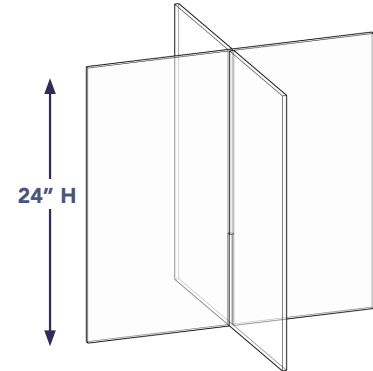
### 24" WIDE PANELS



2 panels  
24 wide x 12 tall each  
\$100

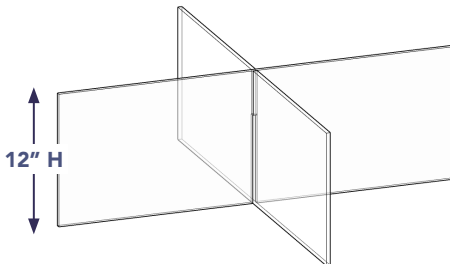


2 panels  
24 wide x 16 tall each  
\$120

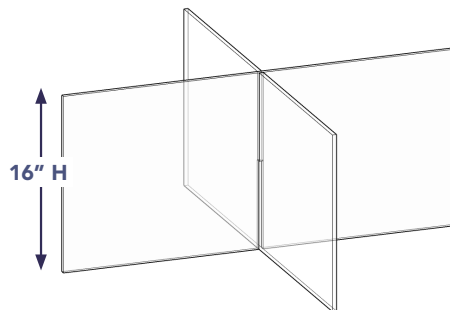


2 panels  
24 wide x 24 tall each  
\$180

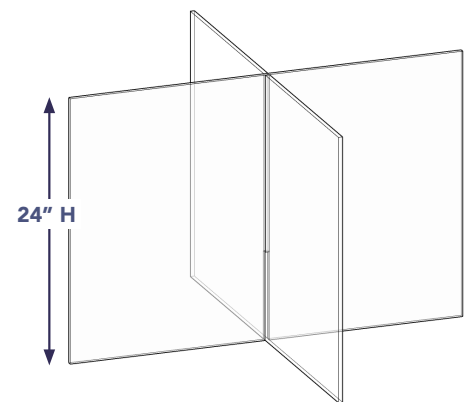
### 36" WIDE PANELS



2 panels  
36 wide x 12 tall each  
\$140



2 panels  
36 wide x 16 tall each  
\$180



2 panels  
36 wide x 24 tall each  
\$240

*\*Note: Other configurations can be made to suite your needs. Please inquire with your local SMG sales rep for more details on custom configurations and pricing.*

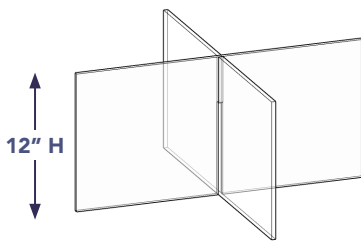
# TABLE TOPPER™

## TOPPER PRICING GUIDE

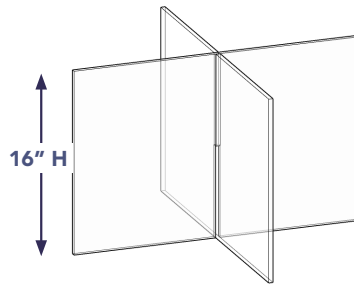
The cube topper is simply priced for the SMG Customer.  
Width of each section x Topper height (material only).  $W \times H = \$\text{Price}$   
SMG will add shipping and packaging based on size of order.



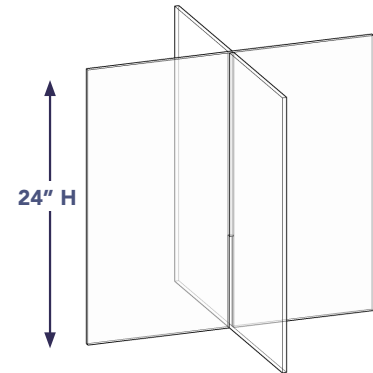
### 24" WIDE PANELS



2 panels  
24 wide x 12 tall each  
\$140

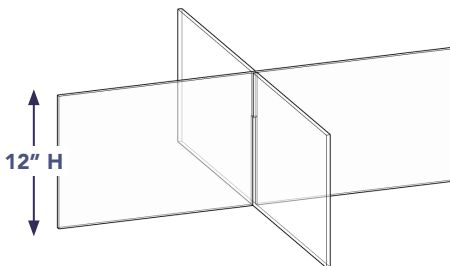


2 panels  
24 wide x 16 tall each  
\$170

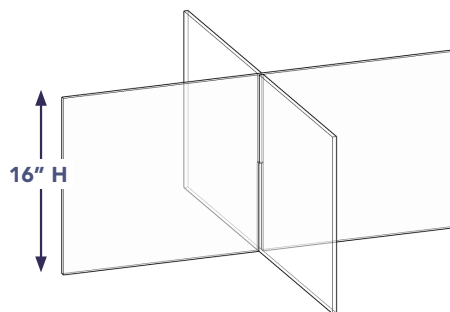


2 panels  
24 wide x 24 tall each  
\$240

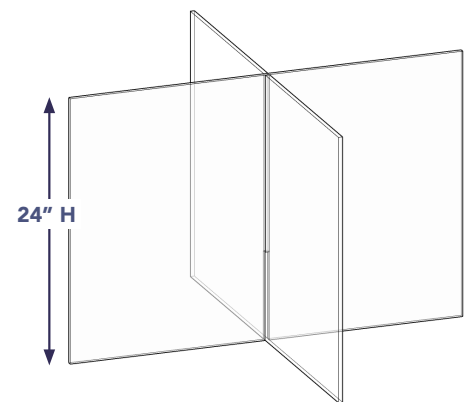
### 36" WIDE PANELS



2 panels  
36 wide x 12 tall each  
\$200



2 panels  
36 wide x 16 tall each  
\$260



2 panels  
36 wide x 24 tall each  
\$340

*\*Note: Other configurations can be made to suite your needs. Please inquire with your local SMG sales rep for more details on custom configurations and pricing.*